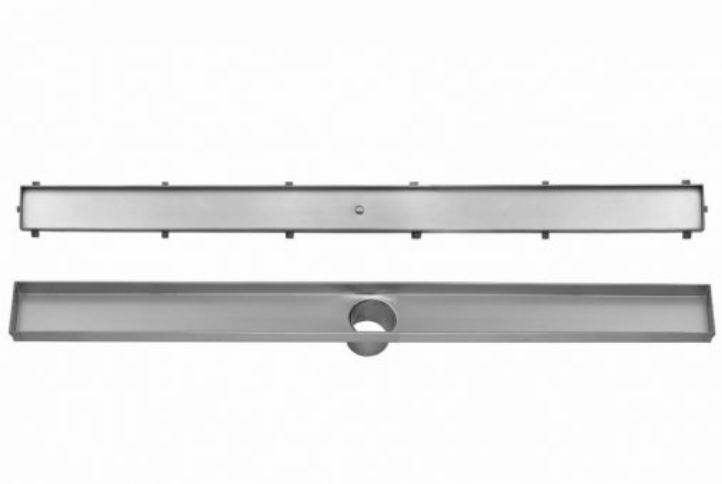


Tile-In Linear Drain



Price: \$205.00 - \$340.00

Product Categories: [Linear Drains - Trench Drains - Long Drains](#)

Product Page: <https://designerdrains.com/product/tile-in-linear-drain/>

Product Variants

- Tile-In Linear Drain - 26" (#25911)
- Tile-In Linear Drain - 30" (#25912)
- Tile-In Linear Drain - 36" (#25913)
- Tile-In Linear Drain - 40" (#25914)
- Tile-In Linear Drain - 48" (#25915)
- Tile-In Linear Drain - 60" (#25916)

Product Description

Tile-In Linear Shower Drains are easy to install, durable and function as needed. All of our Tile-In Linear Drains are made of 100% 304 grade, 18 gauge stainless steel, both channel body & grate. Installing any size tile-in linear drain is easy. All of our available styles are installed independent to all waterproofing materials & procedures and only requires a single slope pitching on the shower floor. Universal design (zero threshold) showers and bathing areas can easily be achieved with a Tile-In linear drain.